

5-, 6-, 8-, 10- AND 14-TON SINGLE UNIT BLENDERS



8- and 10-Ton, Double Auger



Layco's Single-Unit Blenders blend more quickly than most conventional and competitive blenders. Our 5-, 6-, 8-, 10- and 14-ton models are simple to operate and unload fertilizer rapidly in four different directions. Whether you are blending low- or high-tonnage fertilizer, Layco offers you the choice of a blender that is tailored to fit your needs.

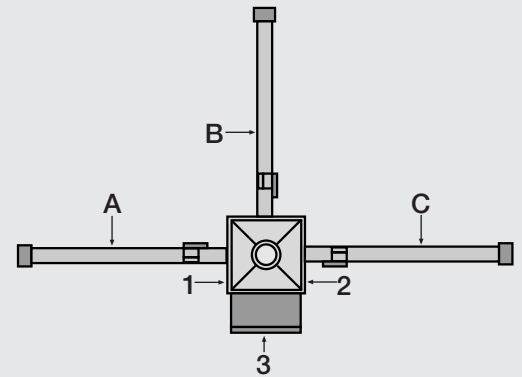
5- and 6-Ton, Single Auger

Layco Single-Unit Blender SPECIFICATIONS

| Single-Auger | 5-Ton | 6-Ton |
|-------------------------------|----------------|----------------|
| Overall length w/30' conveyor | 31'3" | 31'3" |
| Blender length, less conveyor | 8' | 8' |
| Dumping height from floor | 7'8" | 8'2" |
| Overall height | 9'3" | 9'7" |
| Hopper height w/flare | 7'9" | 8'2" |
| Hopper height w/o flare | 6'9" | 7'4" |
| Blender width | 8'8" w/flares | 8'10" w/flares |
| Scale frame length | 7'3" | 7'3" |
| Scale frame width | 7'5" | 7'5" |
| Capacity | 5-ton | 6-ton |
| Cycle time | 5 min. or less | 5 min. or less |

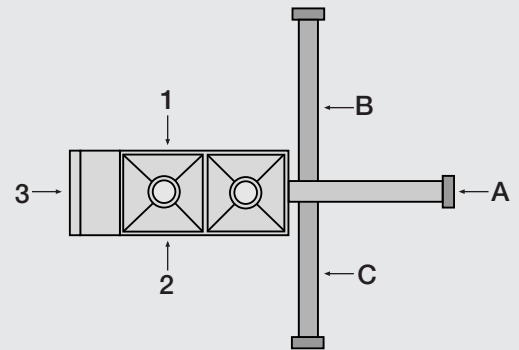
| Double-Auger | 8-Ton | 10-Ton |
|-------------------------------|----------------|----------------|
| Overall length w/30' conveyor | 41' | 41' |
| Blender length, less conveyor | 13' | 13' |
| Dumping height | 7' | 7'7" |
| Overall height | 9'3" | 9'10" |
| Blender width | 8' | 8' |
| Scale frame length | 10'8" | 10'8" |
| Scale frame width | 7'7" | 7'7" |
| Capacity | 8-ton | 10-ton |
| Cycle time | 5 min. or less | 5 min. or less |

| Double-Auger | 14-Ton |
|-------------------------------|----------------|
| Overall length w/30' conveyor | 43' |
| Blender length, less conveyor | 15' |
| Dumping height | 9'6" |
| Overall height | 11'2" |
| Blender width | 9'6" w/motor |
| Scale frame length | 13' |
| Scale frame width | 7' |
| Capacity | 14-ton |
| Cycle time | 5 min. or less |



1 & 2, Hopper in-load position
3, Digital and load cell position
A, B, C, Load-out conveyor position

Layco 5- and/or 6-ton Single-Auger



1 & 2, Hopper in-load position
3, Digital and load cell position

Load-out conveyor
A, Straight position
B, C, Short neck w/90° conveyor

Layco 8-, 10- and/or 14-ton Double-Auger



Yargus Manufacturing, Inc. offers a wide range of equipment and options. The Single-Unit Blender is available in 5-, 6-, 8-, 10- and 14-ton models in 304 stainless steel. Conveyors, from portable to complete systems, can be built to your specifications. For more information, contact:



12285 E. Main St. • PO Box 238 • Marshall, IL 62441 USA
Phone (217) 826-6352 • Fax (217) 826-8551
layco@yargus.com

www.yargus.com